

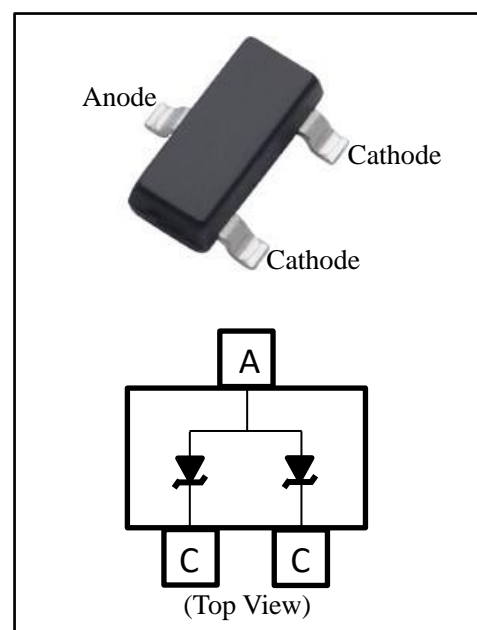
AESD05V08ZS Transient Voltage Suppressor

General Features

- 5V reverse stand-off voltage
- Unidirectional & two-path configurations
- ESD protection according to IEC61000-4-2 air $\pm 30\text{kV}$, contact $\pm 30\text{kV}$
- Ultra-low leakage current: $I_R < 10\text{nA}$ typ
- Lead free in compliance with EU RoHS 2.0
- Green molding compound as per IEC 61249 standard

Applications

- Power supply protection
- Power management
- Audio and video equipment
- Communication systems
- Control signal lines protection



Ordering Information

Part Number	Marking	Package	Remark
AESD05V08ZS	05S	SOT-23	Halogen Free

Absolute Maximum Ratings

$T_A=25^\circ\text{C}$ unless otherwise specified

Symbol	Parameter	Rating	Unit
P_{pk}	Peak pulse power($t_p=8/20\mu\text{s}$)	80	W
I_{pp}	Peak pulse current($t_p=8/20\mu\text{s}$)	8	A
V_{ESD}	ESD according to IEC61000-4-2 air discharge	± 30	kV
	ESD according to IEC61000-4-2 contact discharge	± 30	
T_{OP}	Operation temperature	$-55\sim 150$	$^\circ\text{C}$
T_L	Lead Temperature	260	$^\circ\text{C}$
T_{STG}	Storage Temperature	-55 to 150	$^\circ\text{C}$

Caution: Stresses greater than those listed in the "Absolute Maximum Ratings" may cause permanent damage to the device.

Electrical Characteristics

$T_A = 25^\circ\text{C}$ unless otherwise specified

Symbol	Parameter	Condition	Min.	Typ.	Max.	Unit
V_{RWM}	Reverse stand-off voltage		--	--	5	V
I_R	Reverse leakage current	$V_{RWM}=5\text{V}$	--	--	100	nA
V_{BR}	Reverse breakdown voltage	$I_T=1\text{mA}$	6	--	8	V
V_F	Forward voltage	$I_T=10\text{mA}$		0.8		V
V_{CL}	Clamping voltage ^[1]	$I_{PP} = 4\text{A}, t_p = 8/20\mu\text{s}$	--	9	--	V
		$I_{PP} = 8\text{A}, t_p = 8/20\mu\text{s}$	--	10	--	
C_J	Junction capacitance	$V_R=0\text{V}, f=1\text{MHz}$	--	47	--	pF

Notes:

[1] Non-repetitive current pulse, according to IEC61000-4-5.

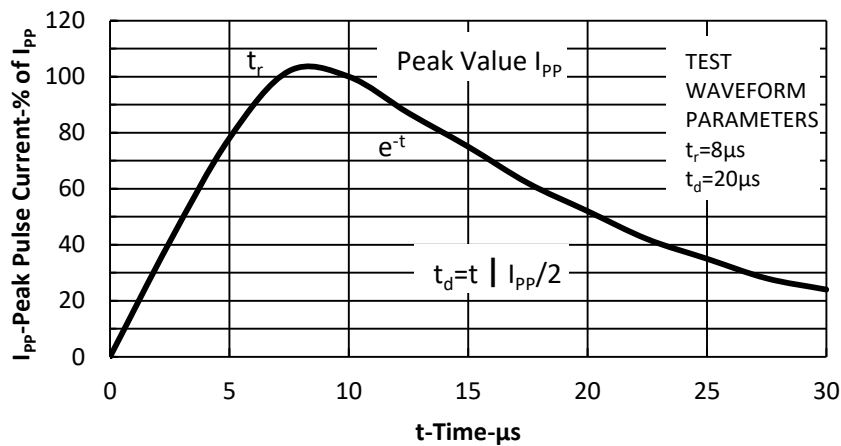


Figure 1: Pulse wave form

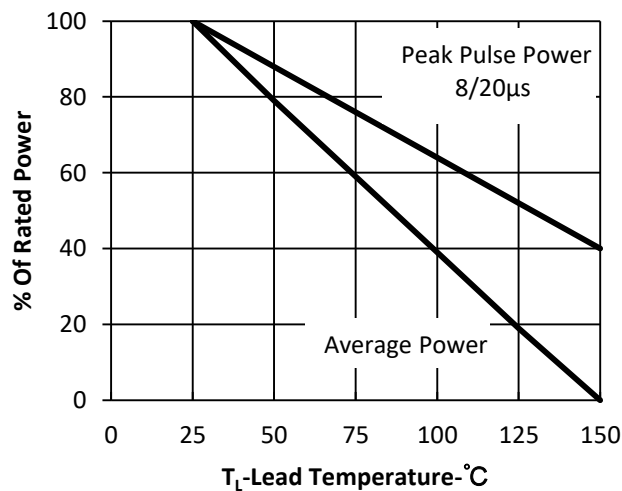
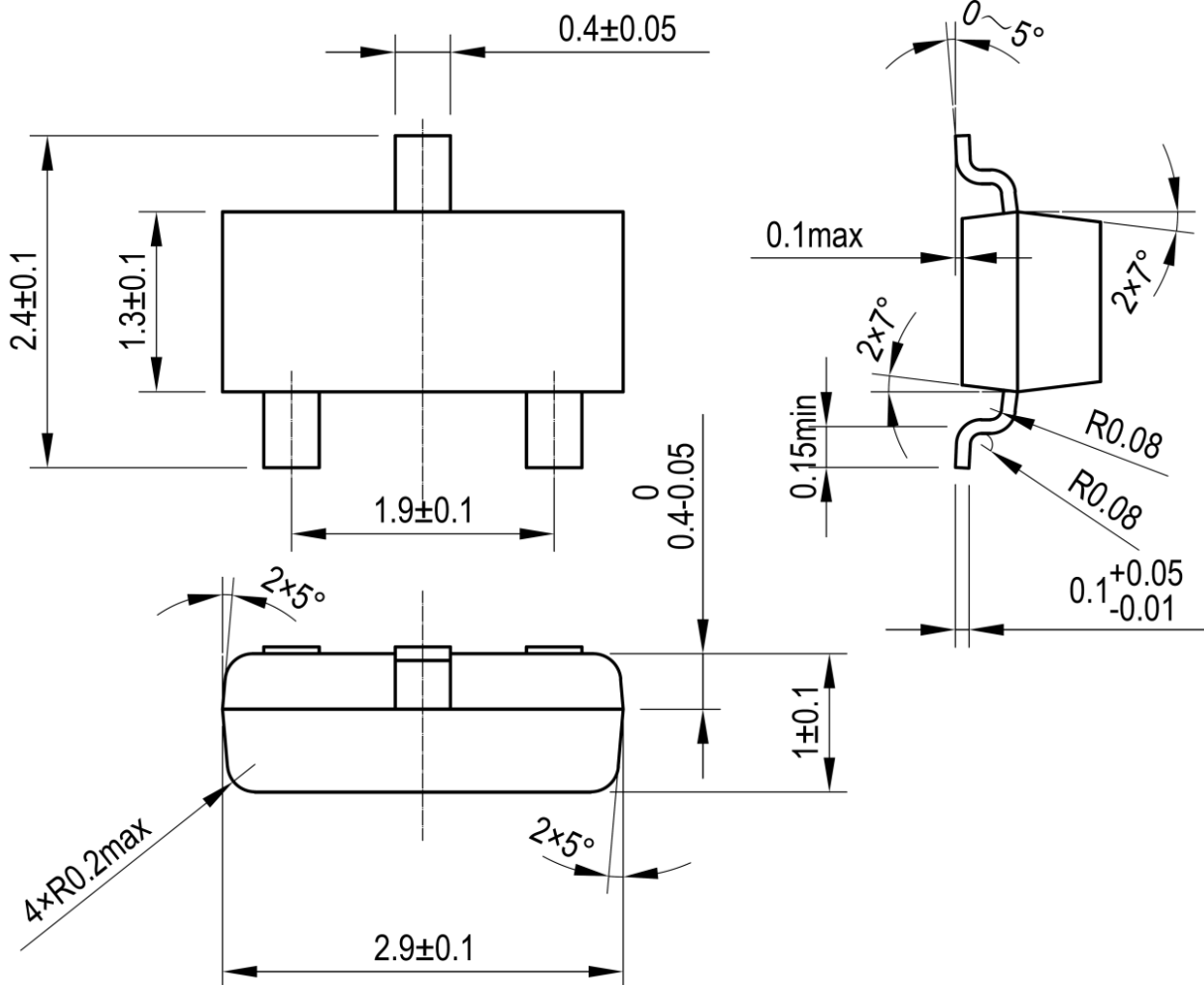


Figure 2: Power derating curve

Package Dimensions
SOT-23




Published by

ARK Microelectronics Co., Ltd.

4F. D26. UESTC National Science Park No.1 Shuangxing Avenue, GongxingStreet, Southwest Airport Economic Development Zone. Shuangliu District, Chengdu, China (Sichuan) Pilot Free Trade Zone.

All Rights Reserved.

Disclaimers

ARK Microelectronics Co., Ltd. reserves the right to make change without notice in order to improve reliability, function or design and to discontinue any product or service without notice. Customers should obtain the latest relevant information before orders and should verify that such information is current and complete. All products are sold subject to ARK Microelectronics Co., Ltd's terms and conditions supplied at the time of order acknowledgement.

ARK Microelectronics Co., Ltd. warrants performance of its hardware products to the specifications at the time of sale, Testing, reliability and quality control are used to the extent ARK Microelectronics Co., Ltd deems necessary to support this warrantee. Except where agreed upon by contractual agreement, testing of all parameters of each product is not necessary performed.

ARK Microelectronics Co., Ltd. does not assume any liability arising from the use of any product or circuit designs described herein. Customers are responsible for their products and applications using ARK Microelectronics Co., Ltd's components. To minimize risk, customers must provide adequate design and operating safeguards.

ARK Microelectronics Co., Ltd. does not warrant or convey any license either expressed or implied under its patent rights, nor the rights of others. Reproduction of information in ARK Microelectronics Co., Ltd's data sheets or data books is permissible only if reproduction is without modification or alteration. Reproduction of this information with any alteration is an unfair and deceptive business practice. ARK Microelectronics Co., Ltd is not responsible or liable for such altered documentation.

Resale of ARK Microelectronics Co., Ltd's products with statements different from or beyond the parameters stated by ARK Microelectronics Co., Ltd. for the product or service voids all express or implied warranties for the associated ARK Microelectronics Co., Ltd's product or service and is unfair and deceptive business practice. ARK Microelectronics Co., Ltd is not responsible or liable for any such statements.

Life Support Policy:

ARK Microelectronics Co., Ltd's products are not authorized for use as critical components in life devices or systems without the expressed written approval of ARK Microelectronics Co., Ltd.

As used herein:

1. Life support devices or systems are devices or systems which:
 - a. are intended for surgical implant into the human body,
 - b. support or sustain life,
 - c. whose failure to perform when properly used in accordance with instructions for use provided in the labeling, can be reasonably expected to result in significant injury to the user.
 2. A critical component is any component of a life support device or system whose failure to perform can be reasonably expected to cause the failure of the life support device or system, or to affect its safety or effectiveness.
-